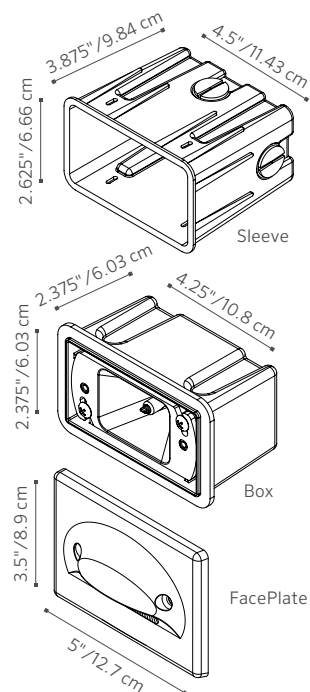




*The UN washes walkways with LED efficiency and shadow-free illumination, which highlights the detail in fine stonework, or the richness of wooden decks. It is available in both brass and composite material for design flexibility.*

### UN: Wall Light

NUMBER OF LEDS:	1
HALOGEN LUMEN OUTPUT EQUIVALENT:	10 Watt
USEFUL LED LIFE (L70):	50,000 hrs avg
INPUT VOLTAGE:	10 to 15V
VA TOTAL: (Use this number to size the transformer)	2.4
WATTS USED:	2.0
LUMENS PER WATT (EFFICACY)	5.5
MAX LUMENS:	11
CCT (Ra)	80.2





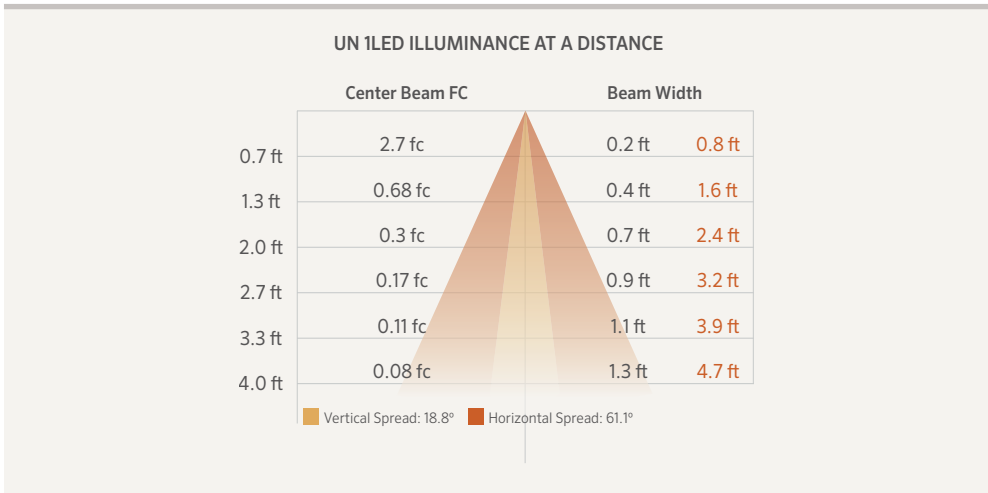
# UN: Wall Light

**FACTORY INSTALLED OPTIONS:** Order 1 + 2 (optional) + 3 + 4

Step	Description	Code
1	FIXTURE	UN
2	OPTIONAL ZD	ZD (Refer to the Luxor page in the Lighting Control section)
3	LAMP	1LED (50,000 avg. life hours)
4	FINISH	AB*, AT*, NP*, BS, WG, FW, AL, BZ, DG, WI, VF, SB, FB, DT, CB

**EXAMPLE:** UN-ZD-1LED-CB = UN - ZD Option - 1LED Board - Camo Bronze Finish

**PHOTOMETRICS:**



Beam angle is calculated using LM-79 method for SSL Luminaires:  
 "Beam angle is defined as two times the vertical angle at which the intensity is 50% of the maximum."



**MOUNTING FEATURES AND DIMENSIONS:**

**Level**

**Level**

**Perfectly Level Every Time**

The LevelX system allows the composite sleeve to be up to 3/8" out of level, in either direction, while still allowing the faceplate to be laser level.

The secret: The trim attaches to the adjustable reflector assembly - not the composite sleeve or body. Heavy foam gasket keeps light spill to a minimum.

**METALS**

- AB** = Antique Bronze\* (On Brass)
- AT** = Antique Tumbled\* (On Brass)
- NP** = Nickel Plate\*
- BS** = Natural Brass

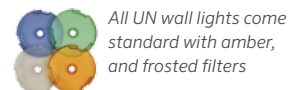
**POWDER COAT**

- WG** = White Gloss
- FW** = Flat White
- AL** = Almond
- BZ** = Bronze Metallic
- DG** = Desert Granite
- WI** = Weathered Iron
- VF** = Verde Speckle
- SB** = Sedona Brown
- FB** = Flat Black

**COMPOSITE**

- CB** = Camo Bronze
- DT** = Desert Tan

The UN includes a 1LED board, choice of faceplate finish, 8 ft lead wire and mounting sleeve.



\* May require longer lead time